

# FCW

PLASMA | MIG-MAG  
CMT | WIG | ARCTIG

# Compact

Circular  
welding system



[www.fronius.com](http://www.fronius.com)

## Applications

- Tank- and vessel construction
- Pipe connections (tube-tube, tube-ellbow, tube-flange)

## Component data

Component diameter range	50 – 800 mm
Max. component length (according to model variant)	up to 6,000 mm
Max. component weight	300 kg



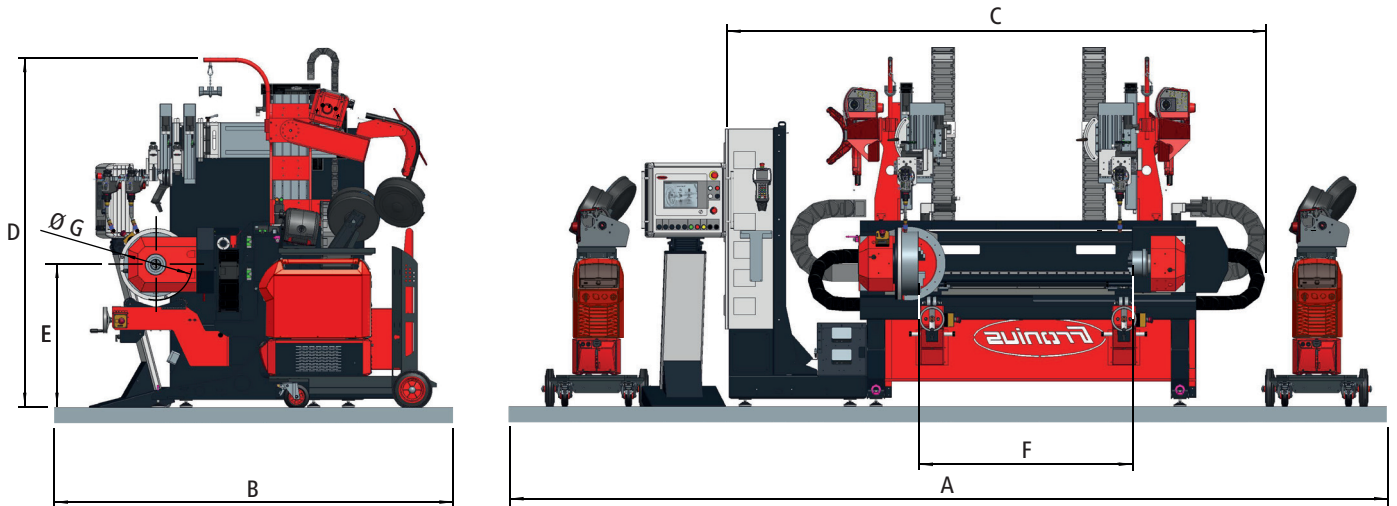
Compact  
and versatile

- Compact circular welding system
- High performance welding packages available
- Easy adaptation to different part geometries
- Motorized weld head for automatic start position, touch & retract, AVC/ASC torch distance control and torch oscillation
- Single- and dual weld head version available



High-end  
system controller

- Central control unit for the entire system
- Realtime process visualization
- Data documentation for quality management



# Technical data



	FCW compact single	FCW compact dual
Mains	3 x 400V, 50–60 Hz	
Space requirement (A)	4,500 / 6,500 / 7,500 / 9,500 mm	5,500 / 7,500 / 8,500 / 10,500 mm
Space requirement (B)	2,500 mm	
Length (C)	3,040 / 5,040 / 6,040 / 8,040 mm	3,378 / 5,378 / 6,378 / 7,378 mm
Height (D)	2,182 mm	
Working height (E)	893 mm	
Max, component length (F)	6,000 mm	
Face plate Ø (G)	450 mm	

FCW Compact Dual  
(2 weld heads and tailstock)

